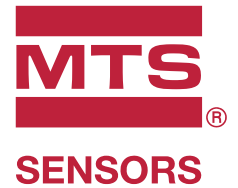


# Level Plus®

Magnetostrictive Liquid Level Transmitters  
with Temposonics® Technology



## CHAMBERED Application Data Sheet

1	2	3	4	5	6	7	8	9	10	11	12	13	14	15	16	17	18	19	20	21	22	
L	P	C						1	X	X	0	X										

To build the sensor model number in the fields provided above, download the product specification/data sheet from the following CHAMBERED product page link and refer to the document's "ORDER CODE":

<http://www.mtsensors.com/products/liquid-level-transmitters/chambered/index.html>

Customer signature:

Phone number: (  )

E-mail address:

Please e-mail this completed application data sheet and purchase order information to: [orders@mts.com](mailto:orders@mts.com)

### NOTICE

1. For inactive zone from the tip of the transmitter, refer to the illustration.
2. 4...20 mA setpoints are set at the "Minimum" or "Maximum" positions unless otherwise specified. "Minimum" is set to 74 mm (2.9 in.), as standard. "Maximum" is set to order length.
3. For an inverted level transmitter, make sure to invert 4...20 mA setpoints. Length should reference from the tip of the pipe.
4. The maximum order length is 3658 mm (144 in.). Consult factory for longer lengths.
5. Measuring range and order length should equal center to center dimension.

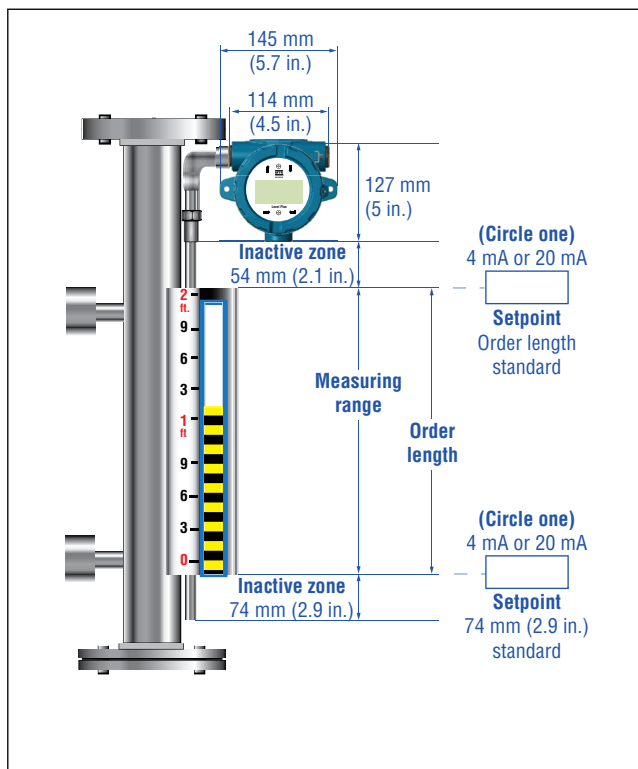


Fig. 1: Electronic mounting style "4" (top right)

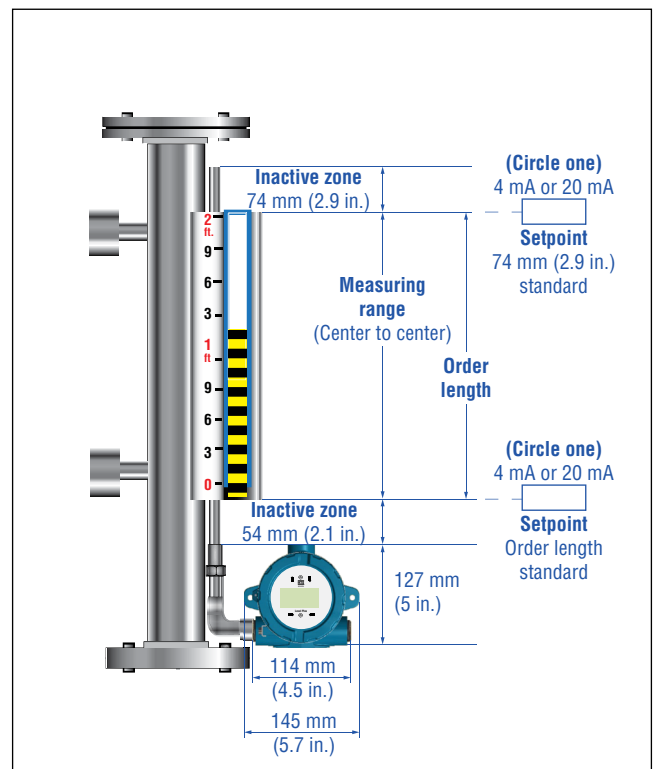


Fig. 2: Electronic mounting style "6" (bottom right)

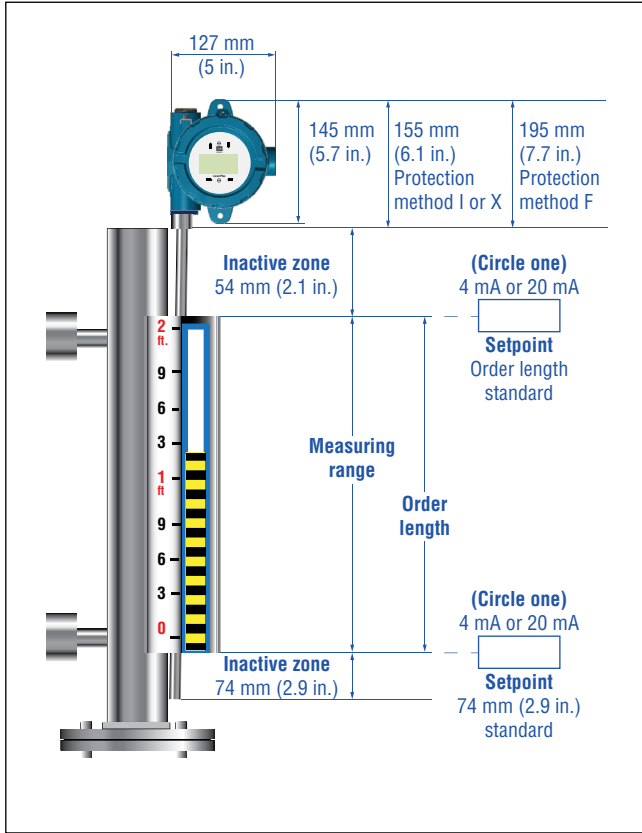


Fig. 3: Electronic mounting style "7" (top mount)

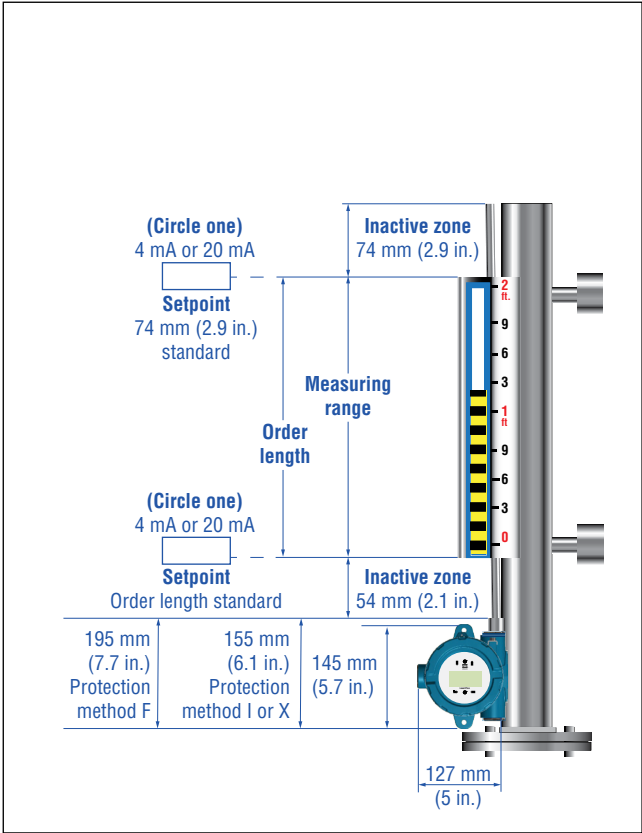


Fig. 4: Electronic mounting style "8" (bottom mount)

**NOTES**

**MTS Systems Corporation**  
**Sensors Division**  
 3001 Sheldon Drive  
 Cary, N.C. 27513  
 Phone: +1 919 677-0100  
 E-mail: info.us@mtssensors.com

**Document Part Number:** 551698 Revision D (EN) 01/2020

MTS, Temposonics and Level Plus are registered trademarks of MTS Systems Corporation in the United States; MTS SENSORS and the MTS SENSORS logo are trademarks of MTS Systems Corporation within the United States. These trademarks may be protected in other countries. All other trademarks are the property of their respective owners. Copyright © 2020 MTS Systems Corporation. No license of any intellectual property rights is granted. MTS reserves the right to change the information within this document, change product designs, or withdraw products from availability for purchase without notice. Typographic and graphics errors or omissions are unintentional and subject to correction. Visit [www.mtssensors.com](http://www.mtssensors.com) for the latest product information.