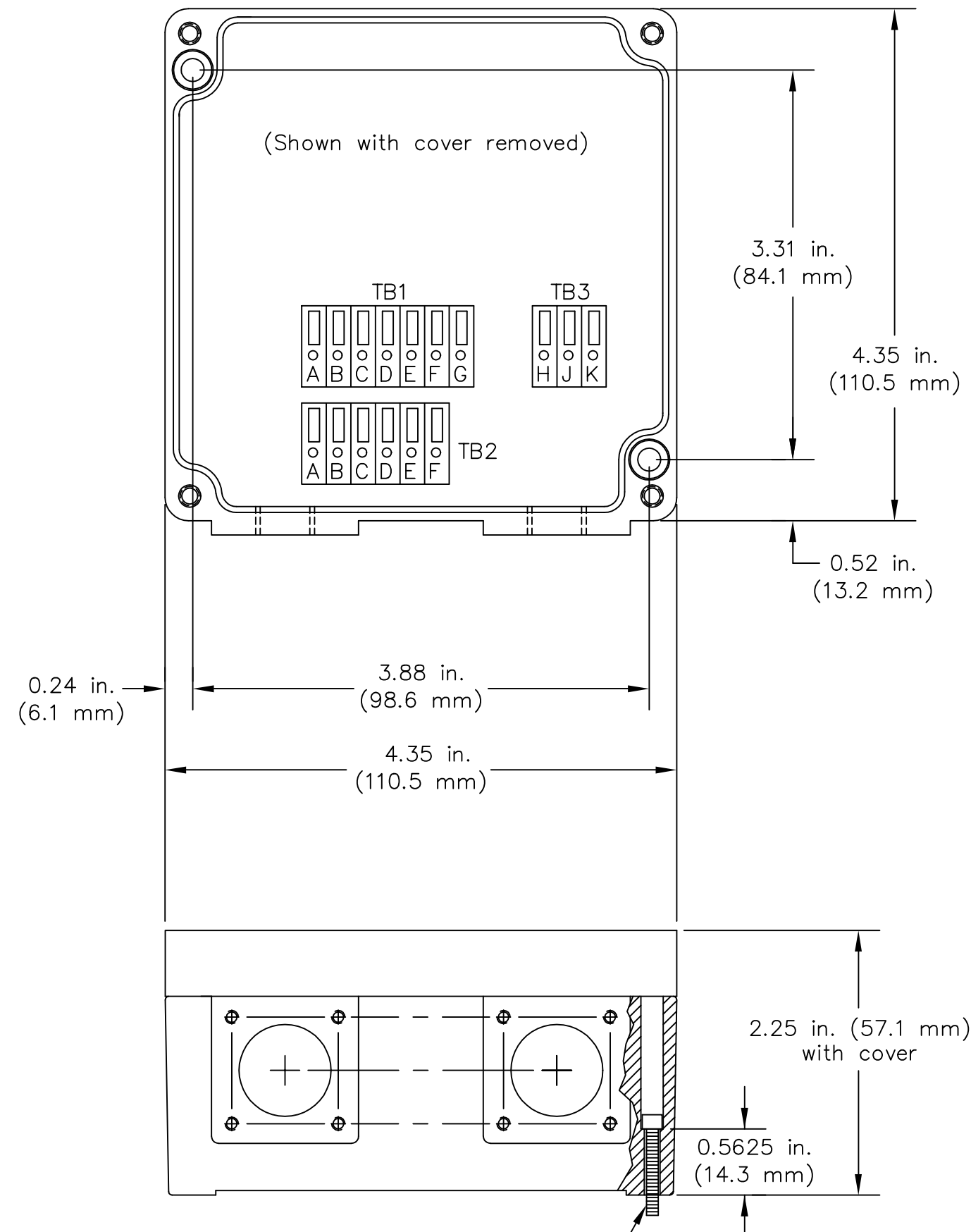
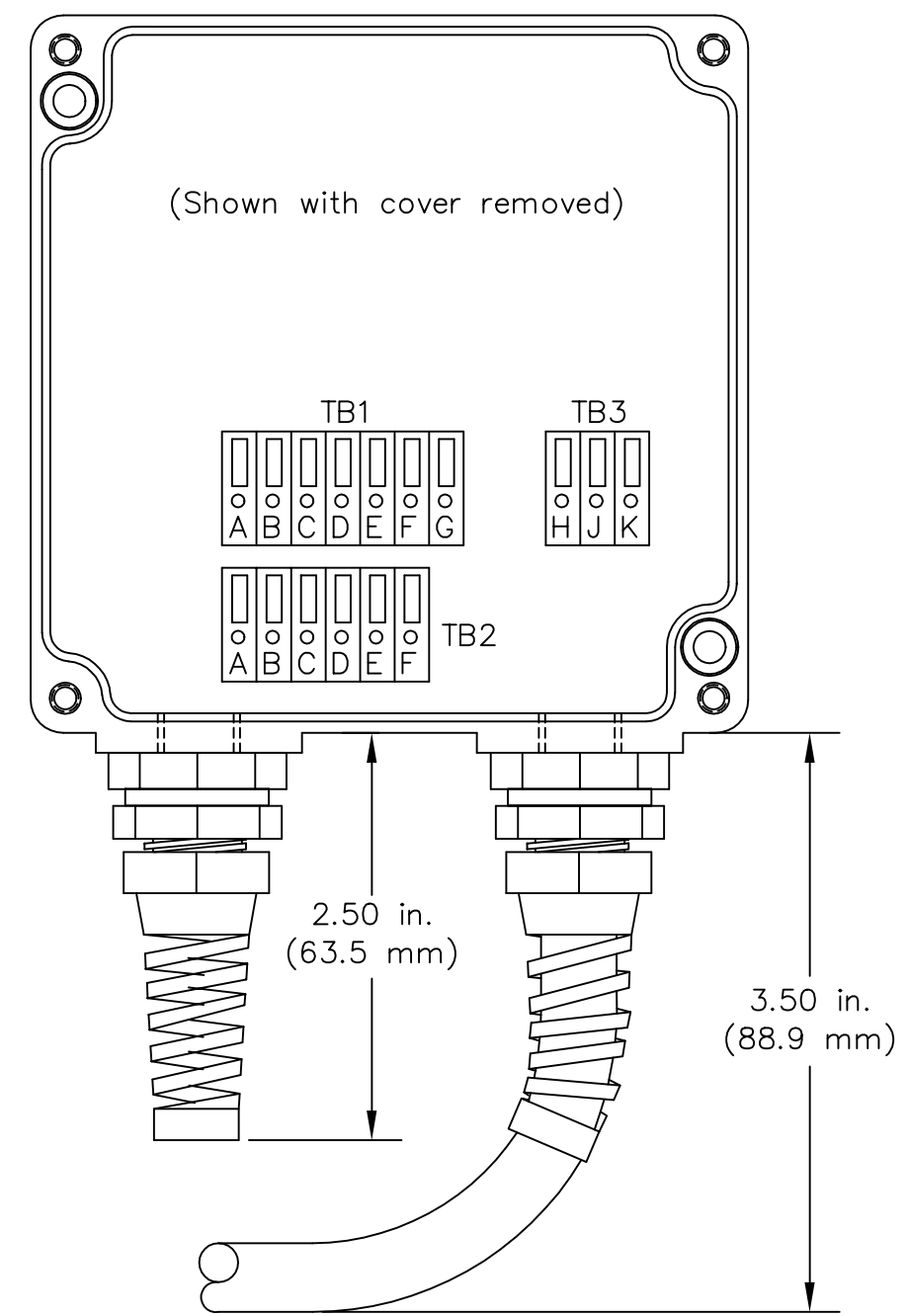


ANALOG OUTPUT MODULE

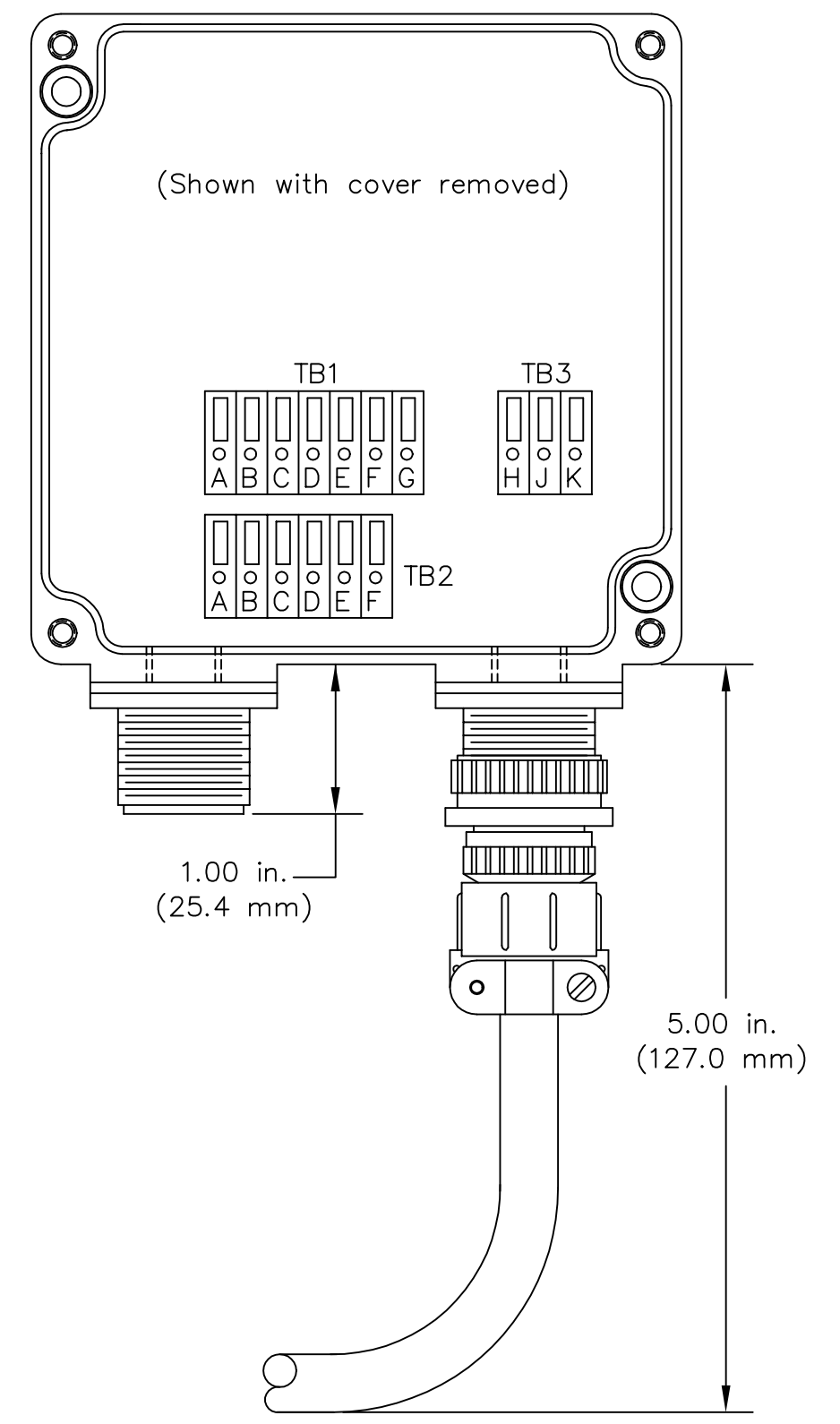
Temposonics® sensors are a registered trademark of MTS Systems Corporation
 ©1998 MTS Systems Corporation



Socket Head Cap Screw (2)
 10-32 UNF-2A thread x 3/4 in. lg. (Recommended)



AOM W/STRAIN RELIEF



AOM W/MS 5 & 6 PIN CONNECTORS

A	12/02/98	3720	
REV.	DATE	ECO #	
TITLE			
ANALOG OUTPUT MODULE			
DWG NO.	901014	SHEET 1 OF 1	REV A