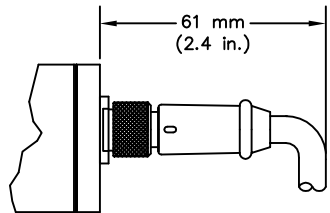
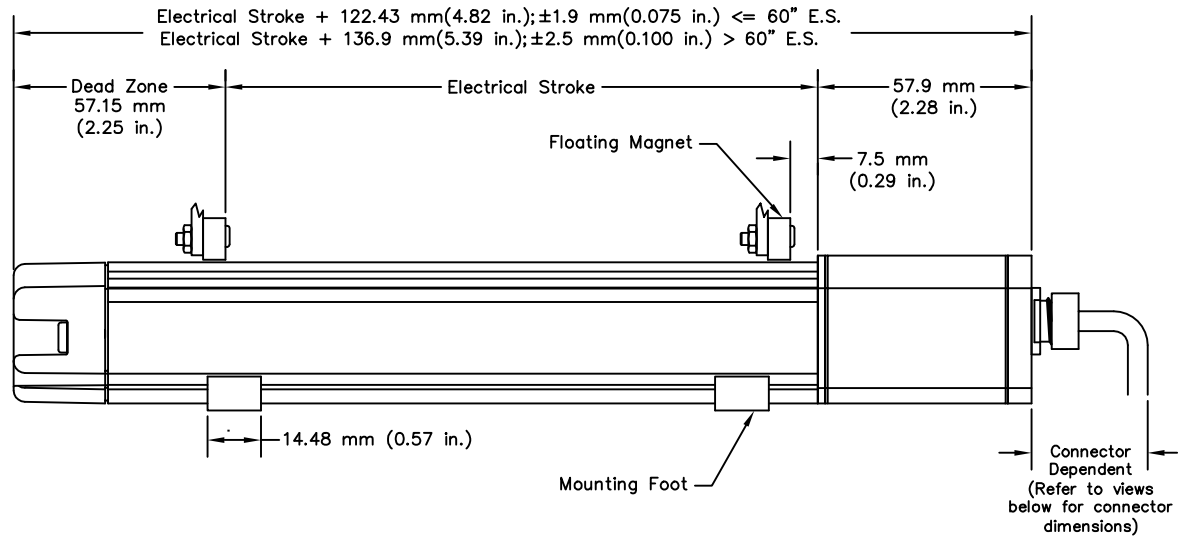
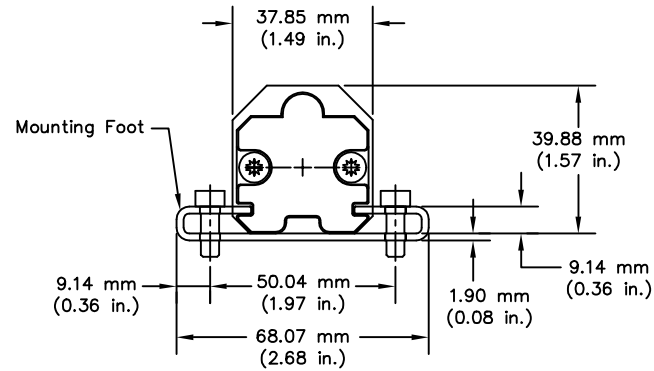
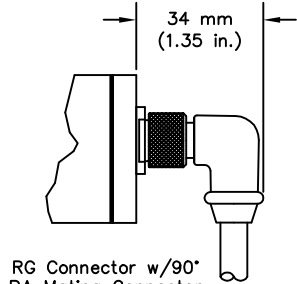


LP FLOATING MAGNET

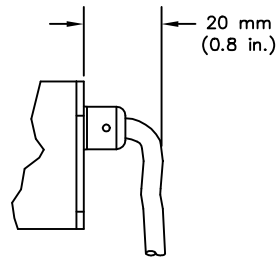
Temposonics® sensors are a registered trademark of MTS Systems Corporation
 © 1998 MTS Systems Corporation



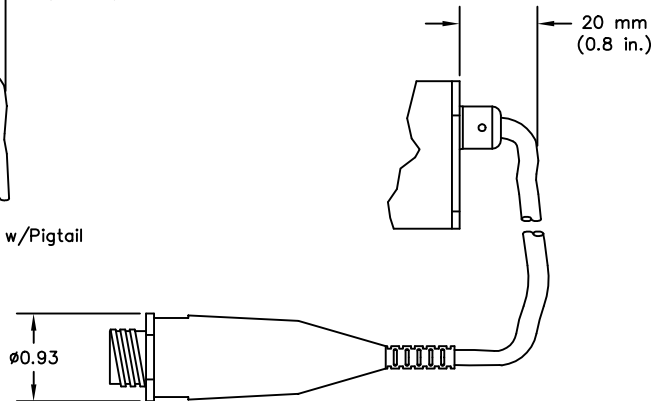
RG Connector w/Straight Exit
 RG Mating Connector



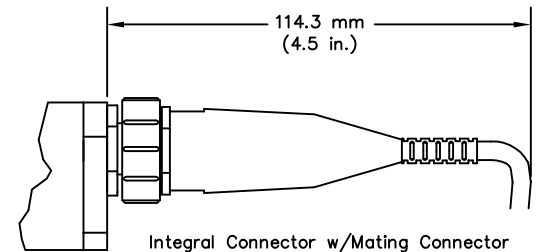
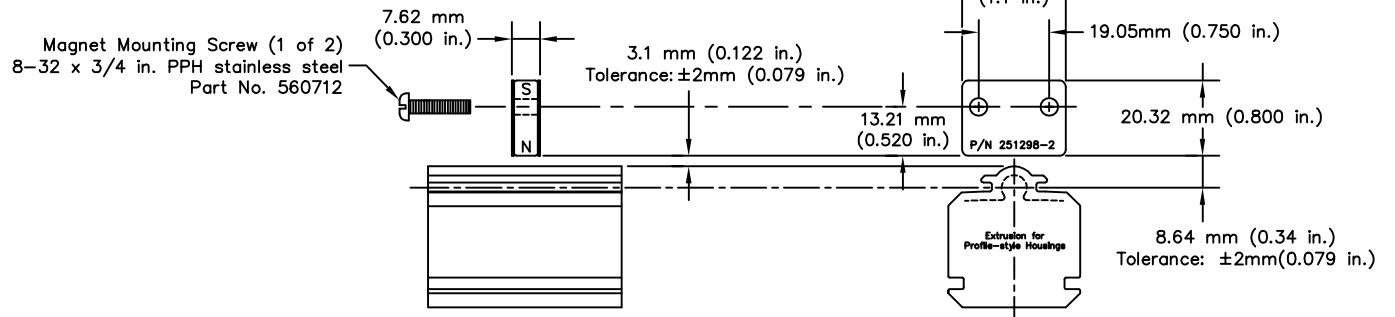
RG Connector w/90°
 RA Mating Connector



7 ft. Cable w/Pigtail



7 ft. Cable w/Connector



Integral Connector w/Mating Connector

B	06/07/99	3824	CHG E.S ADDRS
A	12/02/98	3720	INITIAL RELEASE
REV.	DATE	ECO #	
TITLE L-Series Floating Magnet Profile Style Model Type LP			
DWG NO.	901002	SHEET 1 OF 1	REV B